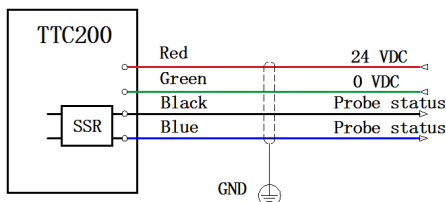
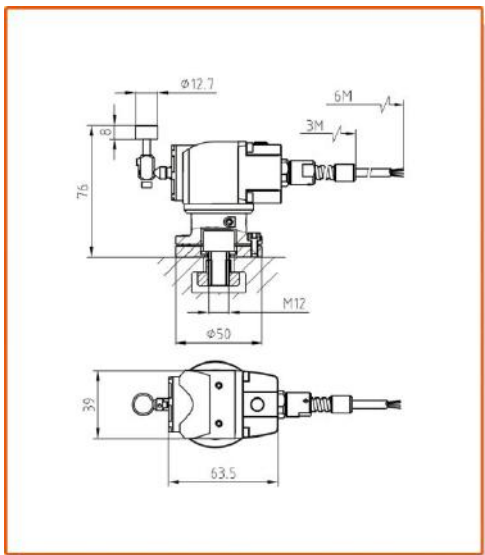
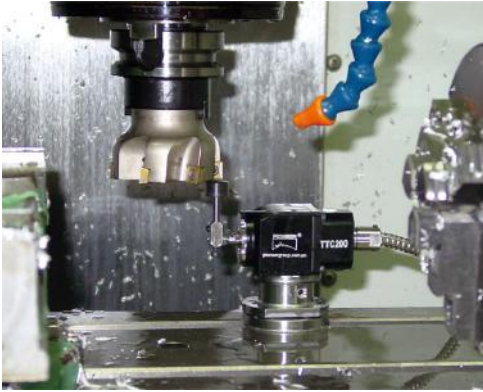


Composition of tool setter

TTC200 cable tool setter consists of a hardware and the software. The model of the software is SP-T10; the hardware also has a mounting base.



Technical Parameters

- ◆ The diameter of the touching pillar(for cutting tool touching): 12.7 ± 0.005 mm; the pillar's hardness : HM8.5 ;
- ◆ Sensing direction of the pillar: $\pm X, \pm Y, -Z$;
- ◆ The trigger repeatability of the pillar(2σ): $\leq 2 \mu\text{m}$;
- ◆ Input voltage is $24 \pm 10\%$ V DC and output load current is 50 mA;
- ◆ Seal grade: IP68.

Technical Characteristics

- ◆ Tool setter transmits signal through cable, reversal connecting tool setter's power supply can reverse the state of the output signal;
- ◆ The position of tool setter pillar can be roughly and precisely adjusted by the connecting link of the pillar and the adjusting link of tool setter for mounting.
- ◆ One LED indicator light is used to display the tool setter's working state.

Application

- ◆ Set lengths parameter of cutting tools automatically before CNC processing;
- ◆ Detect wear and breakage of cutting tools automatically between two processes or after the CNC processing;
- ◆ Through checking cutting tool parameters to control the change of machining precision from the temperature change of the machine;
- ◆ Applicable equipments: various specifications of machine centers, CNC milling machines, drilling-tapping machine centers, etc;
- ◆ Tool setter's cable: TTC200 tool setter is equipped with 6m long, four-core, anti-oil shielding , moving cable and with a 3m-long stainless steel protecting sleeve.

Notes for purchase

- ◆ As for the cable length, verify whether the cable length equipped is enough for installing the tool setter on your machine tool; If lengthening cable is needed, special instructions should be given when ordering the product;
- ◆ If the square pillar of tool setter is needed, customers should give special instructions when ordering the products.